

SPECIFICATIONS

PCT-DA3665-RT

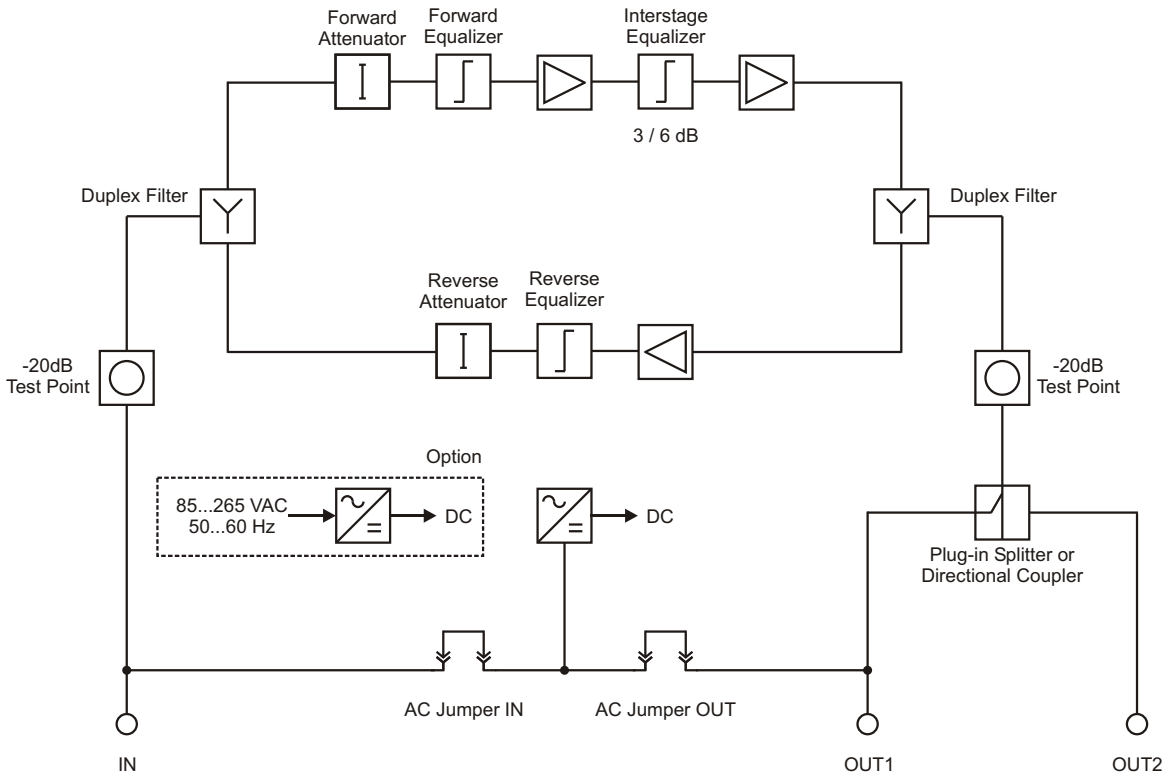
Frequency range forward	40 - 862 MHz
Gain forward	36 dB
Output level forward typ. CTB > 60 dB, EN 50083-3 CSO > 60 dB, EN 50083-3	113 dB μ V 112 dB μ V
Attenuator	plug-in: fixed 0 - 20dB, step 1dB or variable 0 - 18dB
Equalizer forward	plug-in: 6, 9, 12, 15, 18 dB
Interstage equalizer	plug-in: 3, 6 dB
Frequency range reverse	5 - 80 MHz
Gain reverse	20 dB
Output level reverse typ. IMD2 > 60 dB	115 dB μ V
Attenuator	plug-in: fixed 0 - 20dB, step 1dB or variable 0 - 18dB
Equalizer reverse	plug-in: 2, 4, 6dB
Return loss, 5 - 40 MHz	>18 dB
Return loss, 40 - 862 MHz	>18 dB @ 40MHz -1.5dB/oct.
Noise figure forward	< 6 dB
Noise figure reverse	< 7 dB
Number of outputs	2
Screening efficiency	>85 dB
Supply voltage, coax line	24 - 90 VAC, 50-60 Hz
Supply voltage, mains powered	85 - 265 VAC, 50-60 Hz
Power consumption	18 W
Max. current, input/output	6AAC
Hum modulation, at max. current	< 65 dB
Surge protection	2 kV, 1.2 μ s / 50 μ s
Enclosure category	IP 65
Connectors, input and output	5/8 - 24
Connectors, test points	F - female
Dimensions WxHxD, excl. mount. fittings	250 x 185 x 80 mm
Weight	3.2 kg

All specifications are measured with diplex filters, 0dB attenuators, 0dB equalizers, 0dB output jumper.
CSO and CTB are measured with 6dB input equalizer.



PCT-DA3665-RT
CATV DISTRIBUTION AMPLIFIER

PCT-DA3665-RT BLOCK DIAGRAM



PCT-DA3665-RT CONFIGURATION DIAGRAM

